

Silverlink 600 Oven Range

Key Features

- Type: Electric
- Sealed hob
- Simmerstat temperature control of hotplates (six positions)
- Thermostatic temperature control of oven (50 – 250°C)
- Hotplates 190mm / 7 1/2" diameter
- Automatic power reduction if pan boils dry or is removed
- Fan assisted oven
- Supplied with 2 shelves
- 4 shelf positions
- Removable oven base
- Two side-hinged doors (180° opening)
- Height adjustable legs (at front) and castors (at rear)



ESLR9C

Construction

- Body: stainless steel grade 430
- Oven liner: enamelled steel
- Shelves: chrome plated
- Side racks: chrome plated

Available Options

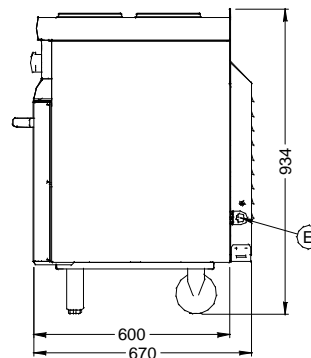
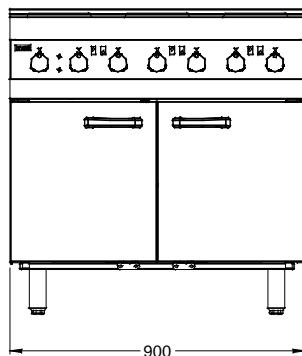
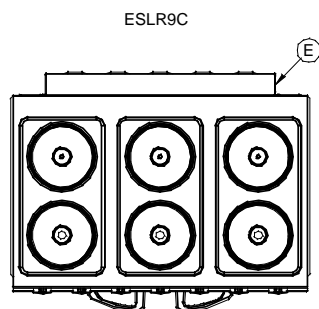
N/A

Available Accessories

N/A

Specifications

Model	ESLR9C
External height (mm)	934
External width (mm)	900
External depth (mm)	670
Usable oven dimensions (mm) W x D x H	720 x 350 x 430
Shelf dimensions (mm) W x D	670 x 340
Oven capacity (m ³)	0.093
Net weight unpacked (kg)	95
Gross weight packed (kg)	106
Shipping volume (m ³)	1.171
Hotplate power ratings (kW)	3 x 2, 3 x 1.5
Oven power rating (kW)	2 x 3
Total electrical power rating (kW)	16.5
Electrical supply 1N~+E 230V 50-60Hz Current Rating (A)	N/A
Electrical supply 3N~+E 400V 50-60Hz Current Rating (A)	L1 27 L2 27 L3 15



Lincat Limited, Whisby Road,
Lincoln LN6 3QZ,
United Kingdom

UK Sales Tel: 01522 875500 UK Spares Tel: 01522 875510 UK General Tel: 01522 875555
 UK Fax: 01522 875530 International Sales Tel: +44 1522 503250 International Fax: +44 1522 875530
 Website: www.lincat.co.uk UK Sales e-mail: sales@lincat.co.uk International Sales e-mail: export@lincat.co.uk



Document ref:
S-LINKELECRANGE
Issue date: Oct-09