



## P6P3 - Lincat Panther 670 Series Free-standing Hot Cupboard - Plain Top - W 1205 mm - 1.5 kW

A great solution for holding and transporting food at the perfect temperature, the Panther 670 Series Hot Cupboard is designed to fit through narrow doorways, so is ideal for pubs and smaller restaurants as well as nursing and care homes where plated meals are to be transported from the kitchen to the residents.

- ✔ 670mm depth allows access through narrow door openings also ideal to fit through narrow corridors
- ✔ Ideal for small restaurants, cafes and pubs, as well as nursing and care homes, where the easy transportation of plated meals to diners and residents is a necessity.
- ✔ Fan assisted hot cupboard provides even heat distribution, fast heat up and recovery times, and lower energy usage. Four shelf positions allow adjustment to meet individual needs.
- ✔ Fully 1/1 GN compatible hot cupboard for operational efficiency. Units available to take 3 x 1/1 GN containers up to 150mm deep.
- ✔ Accurate digital electronic control of the hot cupboard temperature, adjustable between 20 and 99 °C, ensures compliance with food hygiene regulations
- ✔ Double skinned construction provides efficient heat retention and a cool to touch exterior - safe and energy efficient. Removable doors and shelves allow access to the fully stainless steel interior for easy cleaning
- ✔ Supplied with two heavy duty multi-section chrome plated rod shelves capable of taking the heaviest loads

### Specifications

#### Summary

<b>Brand</b>	Lincat
<b>Range</b>	Panther
<b>Series</b>	670 Series
<b>Power Type</b>	Electric
<b>Unit Type</b>	Free-standing
<b>Available in UK Only</b>	No
<b>UK Warranty</b>	2 Years Parts and Labour Warranty
<b>Export Warranty</b>	Contact your local dealer
<b>GTIN</b>	5056105103448

#### Power and Performance

<b>Total Power kW</b>	1.50
<b>Temperature Range °C</b>	20-99
<b>IP Rating</b>	IP24
<b>Temperature Control</b>	Electronic

#### Key Specifications

<b>Number of Shelves included</b>	2
<b>Number of Shelf Positions</b>	4
<b>Heated Base</b>	Yes
<b>Heated Gantry</b>	No
<b>Static or Mobile</b>	Mobile

#### Capacity

<b>Plate Capacity</b>	316
-----------------------	-----

### Weights and Dimensions

Unit Height (External) mm	900
Unit Width (External) mm	1205
Unit Depth (External) mm	670
Height (Internal) mm	432
Width (Internal) mm	1,020
Depth (Internal) mm	512
Shelf Dimensions Width mm	980
Shelf Dimensions Depth mm	512
Net Weight Kg	87.5

### Supply Connections

Requires Installation	No
Requires Electrical Supply	Yes
UK 3 Pin Plug	Yes
Requires Hardwiring	No
Electrical Supply Rating Watts	1,500
Single Phase Amps	6,5
Single Phase Voltage	230

### Shipping

Packed Weight Kg	103.7
Packed Height cm	103
Packed Width cm	120
Packed Depth cm	80

### Available Options

#### Overshelf or Gantry

PG3A	PG3A - Ambient Gantry
PG3H	PG3H - Heated Gantry
PS3A1	PS3A1 - 1 Ambient Overshelf
PS3A2	PS3A2 - 2 Ambient Overshelves
PS3A3	PS3A3 - 3 Ambient Overshelves
PS3H1	PS3H1 - 1 Heated Overshelf
PS3H2	PS3H2 - 2 Heated Overshelves
PS3H3	PS3H3 - 3 Heated Overshelves

#### Door Locks

PDL3	PDL3 - Lockable Door
------	----------------------

#### Corner Guards

PCG	PCG - Corner Guards[Set of Four]
-----	----------------------------------

#### Trayslides

PTS3	PTS3 - Tray Slide
------	-------------------

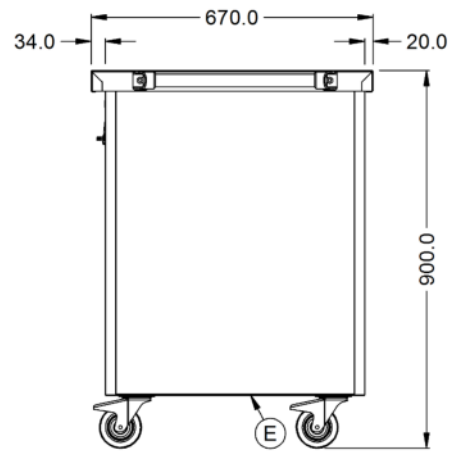
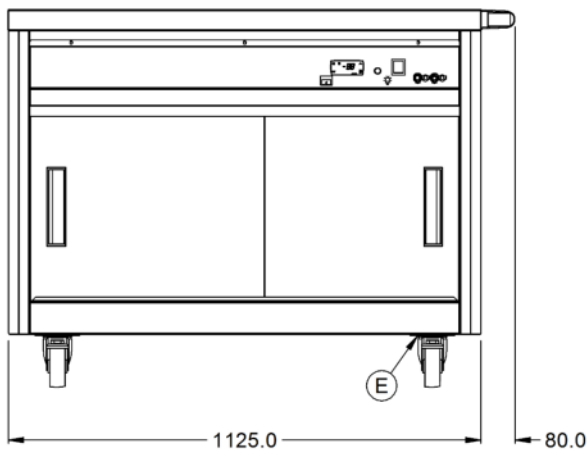
#### Legs/Castors

PLK	PLK - Legs[non chargeable]
-----	----------------------------

### Available Accessories

PLK/S	PLK/S - LEG KIT [FOR CONVERSION IN THE FIELD]
PPB6	PPB6 - ADDITIONAL PUSHBAR

### Technical Picture



#### Lincat Limited

Whisby Road,  
Lincoln, LN6 3QZ,  
United Kingdom

**Company No:** 2175448

A member company of



#### Customer Care

**Tel:** +44 1522 875500  
**Email:** care@lincat.co.uk

#### Export Customers

**Tel:** +44 1522 875536  
**Email:** export@lincat.co.uk

#### Opening Hours

**Monday – Friday:**  
8.30am – 5pm