

OPERATING PRINCIPLE:

The bacteria is sterilised by ultraviolet rays.

L'HYGIENE :

Sloped top and bottom preventing any retention of water or dust. It is impossible to lay objects on the cabinet.

Removable stainless steel rack: it is dishwasher proof and easy cleaning of inside of cabinet.

SAFETY:

The cabinet is fitted with a device to cut out the light when the door is opened: users are not exposed to UV rays. The stop holds the knives of cutter blades, thereby limiting any risks of them falling out and therefore injury.



Ref : 806 424

THE RANGE ALSO INCLUDES :

- **20-knife cabinet**
with grid
ref. 806 421
- **10-knife cabinet**
with magnetic bar
ref. 806 422

All the cabinets are also available with lock and key.



Ref : 806 423

EFFICIENCY :

Thanks to the rack, no part of the knife's blade is in contact with a surface likely to obstruct the efficiency of the rays.

The stop is also provided to hold non-magnetic utensils.

The cabinet is deep enough to allow for cutting disks (up to 157 mm) to be sterilised.

EYE-CATCHING:

The radiused vertical edges give the cabinet a modern edge blending in with the Tournus stainless steel range.



Ref : 806 421



Ref : 806 422

25 avenue Jean Moulin
BP 59
71700 TOURNUS - FRANCE

FRANCE :

Tél : 03 85 27 42 42
Fax : 03 85 27 42 50

E-mail :
commercial@tournus.com

EXPORT :

Tél : + 33 (0)3 85 27 42 65
Fax : + 33 (0)3 85 27 42 60

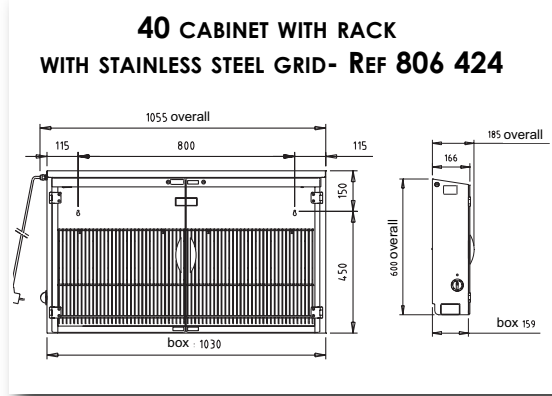
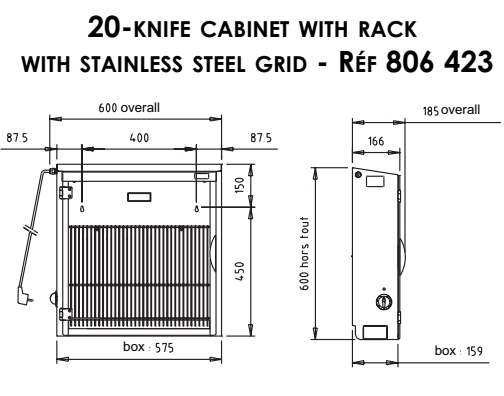
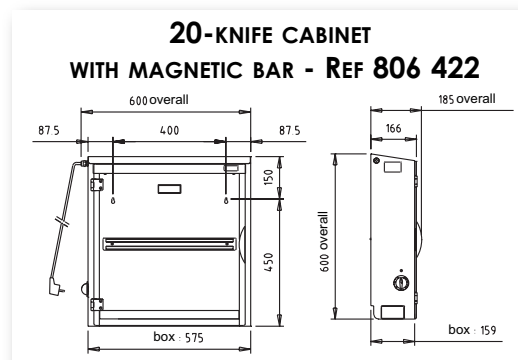
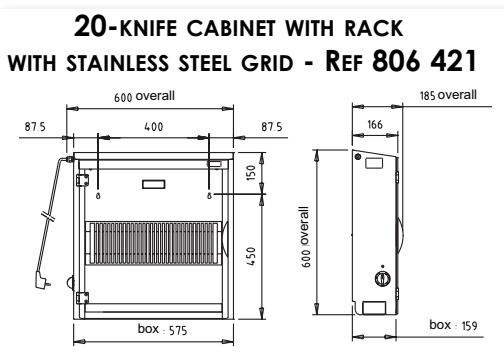
E-mail :
export@tournus.com

Site Web :
www.tournus.com

STERILIZING CABINETS

TECHNICAL SPECIFICATIONS

- Stainless steel construction
- Colourless, transparent Plexiglas door with radiused corners, stainless steel hinges and magnetic fastening.
- Sloped top and bottom, stop in lower part
- Device to switch off the U.V. tube when the doors are opened
- Protected electrical part: IP 24
- Timer adjustable from 0 to 2 hours, minimum recommended: 1h30 min
- 230 V electrical connection, power supply cord 1.2 m long



- Nominal voltage : **230V 1N~**
- Frequency : **50 Hz**
- Input power : **15 W or 30 W depending on model**
- Appliance classification : **I**
- Protection index : **IP 24**
- Standards : **NF EN 60335-1**

Description	Overall l x w x h dim.(mm)	Without key Ref.	With key Ref.
20-knife 1-door cabinet with stainless steel grid	575 x 170 x 600	806 421	816 421
10-knife 1-door cabinet with magnetic bar	575 x 170 x 600	806 422	816 422
20-knife 1-door cabinet with stainless steel grid	575 x 170 x 600	806 423	816 423
40-knife 2-door cabinet with stainless steel grid	1030 x 170 x 600	806 424	816 424

RC Mâcon B 383 567 104
Code APE 295 E
SAS Capital 16 355 625 €