

**IMPORTANT INFORMATION**  
**KEEP FOR FUTURE REFERENCE**



27 Causeway Road, Earlstrees Industrial Estate, Corby, Northants, NN17 4DU  
Tel: +44 (0) 1536 400091 (option 1) Fax: +44 (0) 1536 201492  
Email: [salesuk@tablecraft.com](mailto:salesuk@tablecraft.com)

**THANK YOU FOR PURCHASING A TABLECRAFT HIGHCHAIR. THIS HIGHCHAIR IS EU COMPLIANT AND CONFORMS TO BS EN 14988:2006. Pt 1&2 + A1:2012. FOR THE SAFETY OF CHILDREN USING THIS HIGHCHAIR PLEASE CAREFULLY READ THE INFORMATION BELOW. IF YOU REQUIRE FURTHER CLARIFICATION PLEASE CONTACT US AS ABOVE.**

**WARNING: DO NOT LEAVE CHILD UNATTENDED.**

**WARNING: MAKE SURE THAT ANY HARNESS/STRAPS ARE CORRECTLY FITTED.**

**WARNING: DO NOT USE THE HIGHCHAIR UNLESS ALL COMPONENTS ARE CORRECTLY FITTED AND ADJUSTED.**

**WARNING: BE AWARE OF THE RISK OF OPEN FIRE AND OTHER SOURCES OF STRONG HEAT, SUCH AS ELECTRIC BAR FIRES, GAS FIRES ETC. IN THE VICINITY OF THE HIGH CHAIR.**

**WARNING: DO NOT USE THE HIGHCHAIR UNTIL THE CHILD CAN SIT UPRIGHT WITHOUT ASSISTANCE.**

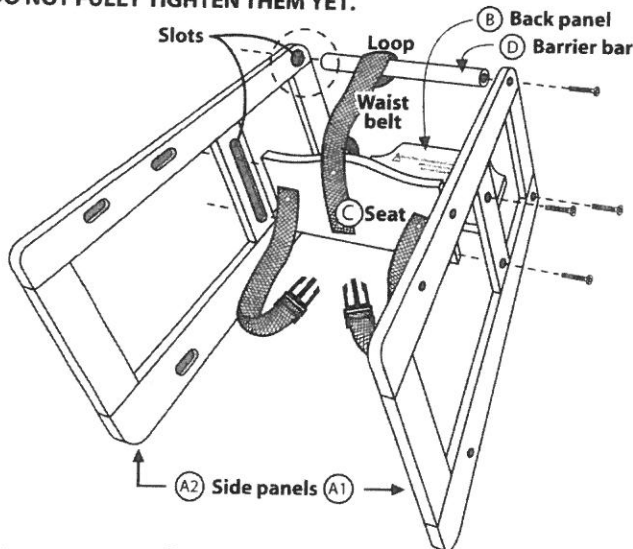
**WARNING: DO NOT USE THE HIGHCHAIR IF ANY PART IS BROKEN, TORN OR MISSING.**

**CLEANING & MAINTENANCE: CLEAN MILD SOAP IN WARM WATER SOLUTION. NEVER USE ABRASIVES OR STRONG CHEMICALS. THE HIGHCHAIR SHOULD BE INSPECTED MONTHLY FOR DAMAGE OR LOOSE COMPONENTS. AN ALLEN KEY HAS BEEN PROVIDED FOR YOUR USE.**

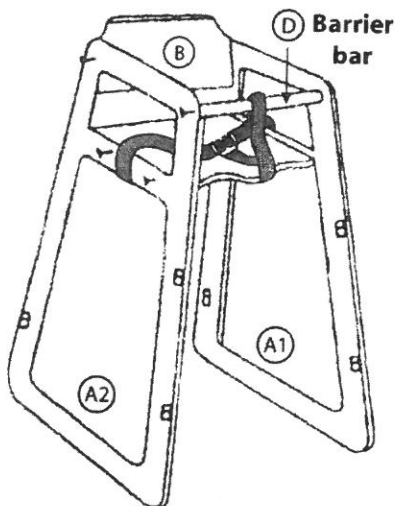
# ASSEMBLY INSTRUCTIONS

CONTENTS:		HARDWARE:	
Description	Quantity	Description	Quantity
(A1) Right side panel	1	Connector bolt	14
(A2) Left side panel	1	Allen wrench	1
(B) Back panel, 12" x 6-5/16"	1		
(C) Seat, 13" x 10-5/8" w/ Straps	1		
(D) Barrier bar, 11-15/16" x 1-1/4" diam.	1		
(E) Foot rest, 14-11/16" x 1-3/4"	1		
(F) Stretcher, 16-7/16" x 1-3/4"	2		

Join the right & left side panels (A1) (A2) with parts (B) (C) & (D) as shown below. Insert connector bolts to join them, but **DO NOT FULLY TIGHTEN THEM YET.**

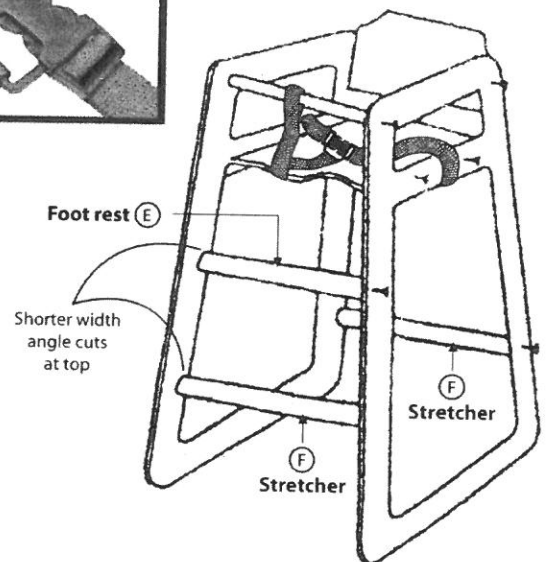
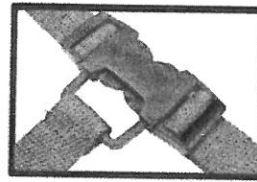


- Place back panel (B) into the back slot with the warning instruction facing forward.
- Place seat (C) into the slots with the waist belt's screw downward.
- Insert barrier bar (D) through the waist belt's loop at the end and into the slot on the side panel.



TableCraft Products  
27 Causeway Road  
Earlstrees Industrial Estate  
Corby, Northants  
NN17 4DU

- Tap foot rest (E) into its slots. Install bolts and make sure that the angle cuts on ends are properly aligned with shorter width at top.
- Tap in stretchers (F), and install all remaining connector bolts.



- Check chair balance & tighten all bolts to complete assembly. Bolts can come loose over time. Bolts should be checked for tightness and retightened periodically.

## IMPORTANT KEEP FOR FUTURE REFERENCE

- NEVER LEAVE CHILD UNATTENDED
- DO NOT USE HIGH CHAIR UNLESS ALL COMPONENTS ARE PROPERLY ASSEMBLED
- NEVER USE HIGH CHAIR IN UPSIDE DOWN POSITION
- MAKE SURE SAFETY HARNESS IS PROPERLY FITTED AND SECURELY TIGHTENED
- KEEP AWAY FROM FIRE AND ALL HEAT SOURCES
- HIGH CHAIR SHOULD ONLY BE USED BY CHILDREN CAPABLE OF SITTING UPRIGHT UNASSISTED
- DO NOT USE THE HIGH CHAIR IF ANY PART IS BROKEN, TORN, OR MISSING

Rev. Date: 08.08.2016